



Swing Door Drive Unit: Compact, universal and safe

Automatische Türen und Tore
Portes et portails automatiques
Porte e portoni automatici
Automatic doors and gates

KABA[®]
ALLEN

The universal, efficient swing door drive unit

Compact, universal and powerful

Thanks to the compact size and the individually selectable color of the design element, the drive unit can be discreetly integrated into the architectural concept. The wide range of available functions allows to achieve user-friendly automatic passage throughways for light as well as for heavy doors.

Tested security

The TÜV-checked drive unit guarantees for a convenient, automatic operation for standard doors. In addition, reliable fire-protection functions for smoke control and fire-protection doors can be provided as an option.

High degree of availability

Top-quality components guarantee an excellent availability and a long service life, while keeping the maintenance costs at a minimum.

Operational safety

An intelligent use and monitoring of the force guarantee a trouble-free operation and optimal safety.

Silent operation

The electromechanical drive unit guarantees a smooth and low-noise operation.



Compact and universal



Selection and planning criteria	The powerful and silent swing door drive unit FDC/FDC-E	FDC-B swing door drive unit tested by TÜV for fire-rated doors
Wing width max.	700 - 1400 mm	900 - 1400 mm
Wing weight max.	300 kg	200 kg
Normal rods for pushing version	✓	✓
Parallel/sliding rods for pulling version	for internal doors ✓	—
Open and close	<p>FDC: Motorized opening, spring-powered closing. The spring increases the closing force and at the same time assists the closing procedure.</p> <p>FDC-E: Motorized opening and closing, low closing force, not advised for external doors.</p>	Motorized opening, spring-powered closing.
Function in the event of a power failure/fire alarm	<p>FDC: The door is closed in a controlled manner by means of spring power, from any position (automatic closing without mains power).</p> <p>FDC-E: In the event of a mains failure the door stops in its present position. It must then be manually closed.</p>	In the event of a fire alarm, the door is closed in a controlled manner from any position.



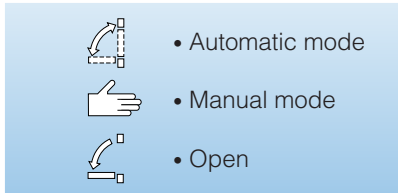
Technical data

Size Width x Height x Depth	530 x 100 x 104 mm
Weight incl. normal rod assembly	11,3 kg
Mains power supply	230 V, 50 Hz, 10/13A / 115 V, 60 Hz, 10 A
Power consumption motor	< 100 W
Ambient temperature	between -15 and +70 °C
Application in dry rooms	max. relative atmospheric humidity 65 °C
Power range	EN 3 - 6
Door opening angle	70 - 95°
Opening speed	adjustable between 30 and 100 %
Closing speed	with mains power supply: adjustable between 30 and 100 %, in the event of a mains failure: fixed
Hold-open time	adjustable between 1 and 30 s
Driving power	adjustable between 60 and 100 %

Individual adaptation to all the operating functions

Integrated control switch

Extremely simple operation via the integrated control switch.



Available additional functions

- Increase of the closing power
- Push-and-go function
- Adjustable opening width
- Program switch for alternating between the "Manual" and "Night" modes
- Automatic closing sequence control for bi-parting installations
- Interlock function
- Step-by-step control impulse "Open/Close"
- Program switch position "Exit" locked or unlocked

Control switch extension

(BEDIS option)

- Automatic mode
- Manual mode
- Open
- Exit
- Night
- Display of the error number in the event of a malfunction.

Progressive optimization

The following operating parameters can be progressively adjusted and thus be adapted to your particular situation:

- Opening speed
- Closing speed
- Hold-open time
- Motor power

Safety for fire protection and smoke control applications

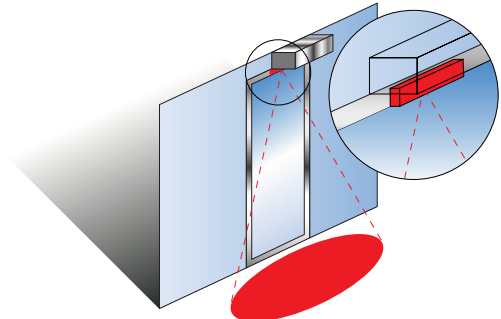
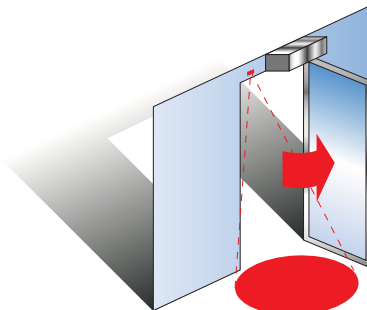
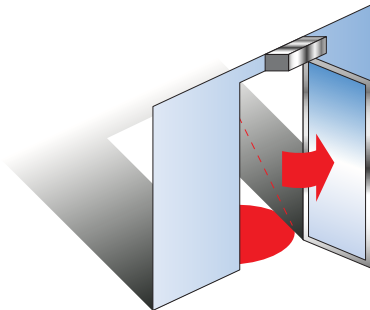
The fire-protection version FDC-B can be equipped with an additional reset push-button for individual solutions or with a connection to the building's management system for multiple installations.



Subsequent data processing

- Position "Door closed"
 - Position "Door open"
 - Error message
 - Electric lock actuation
 - Acoustic signal
- This information can be transmitted via signal outputs (four of which are potential-free), e.g. to the building's management system.

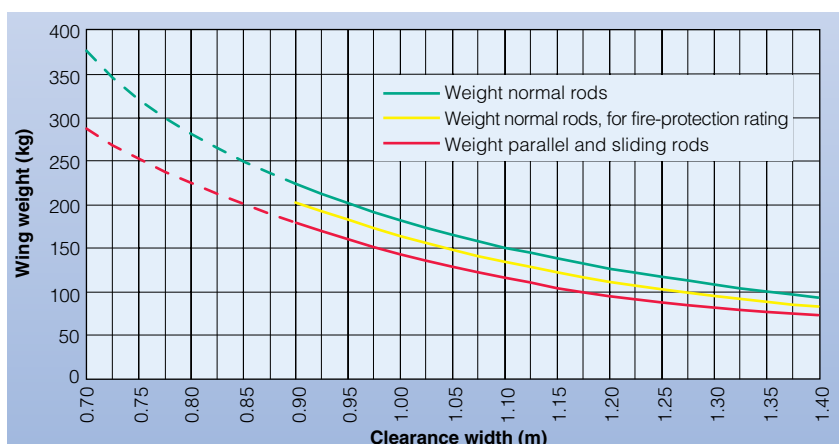
Comfort and safety



Our wide range of opening elements (inside and outside) offers ideal solutions for every situation.

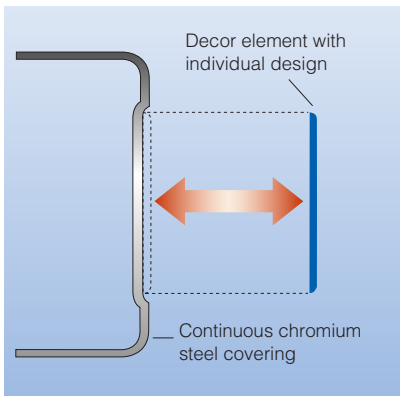
Optic sensors with selectable function "Reverse" or "Stop" provide additional safety in the event of pinch points or oncoming traffic.

Application limits

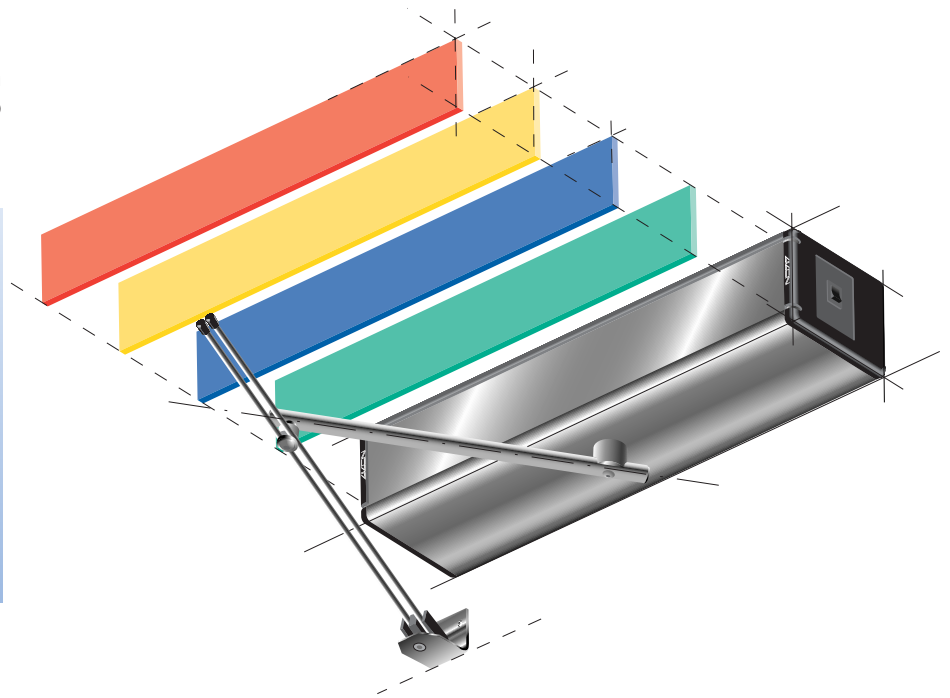


Stylish choice of color

Exchangeable decor elements with selectable surface treatment allow to achieve the stylish finish according to your individual requirements.

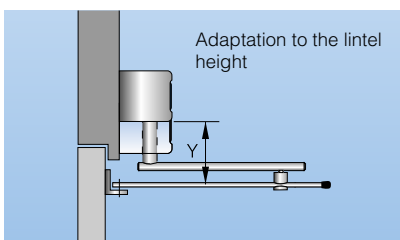
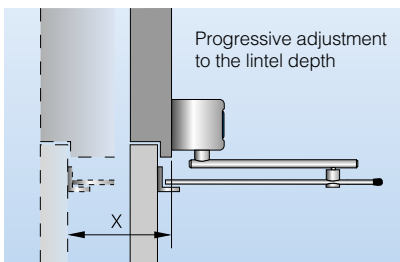


The decor element is glued onto the chromium steel covering.

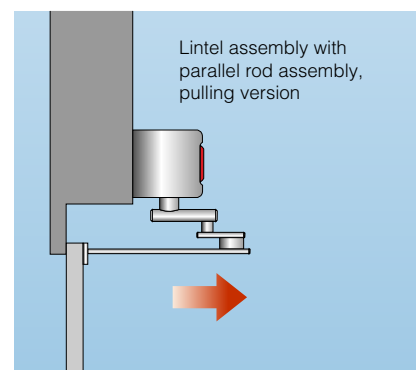
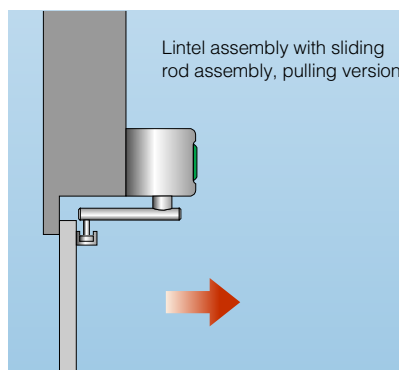
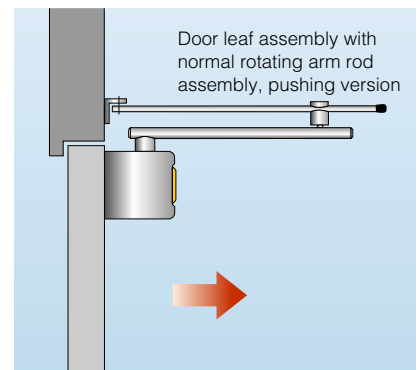
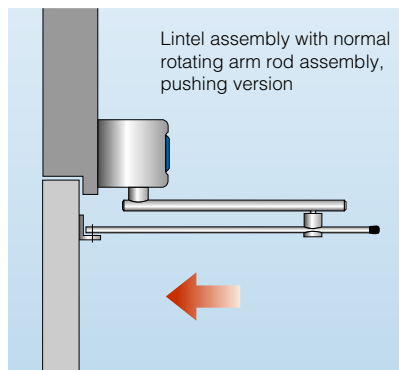


Flexible installation

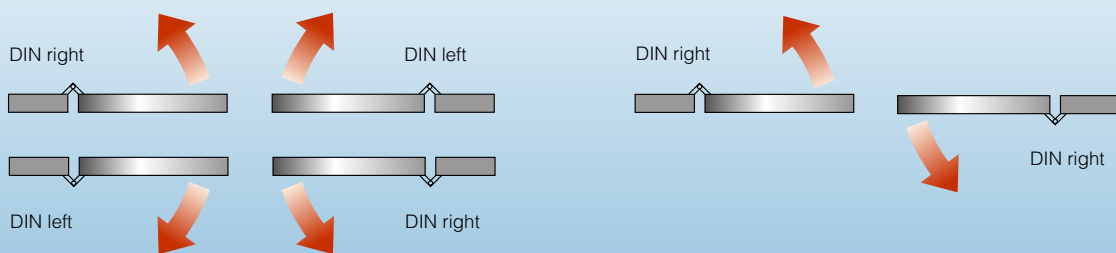
The universally applicable drive unit combined with the matching accessories guarantees a trouble-free operation in every installation position.



The progressively adjustable standard rod assembly (measure X) and the axle extensions (measure Y) provide the suitable solution for each construction situation.



One single model for all the versions





Total Access modules as an outstanding performance of the Kaba Group



Contact-less identification

Contact-free access control and time management solutions integrated into one single system which combines state-of-the-art electronics with mechanical high-precision technology. The Legic Chip, only a few square millimeters in size and extremely flat, can be integrated not only in keys and ISO cards, but also in wristwatches and key rings.



Automatic pedestrian doors – safe and convenient

From the simple sliding door up to the sophisticated safety interlock installation – our product range includes virtually every door you might think of. You will not only appreciate the individual design possibilities, but also our extensive assistance during every phase of your project.



Automatic doors – reliable and user-friendly

Sliding, folding, rotating, tipping, lifting, lowering – we move doors in every sense. Whether you need to automate site access, garage, industrial or fire-station doors, we are in a position to submit the perfect solution.



Kaba Gilgen AG
Freiburgstrasse 34
CH-3150 Schwarzenburg
Phone +41 31 734 41 11
Fax +41 31 734 43 79
www.kaba-gilgen.ch
info@kgs.kaba.com

