

Automatic sliding door record 16 STA



**A door operator that suits
all applications !**



record

your global partner for entrance solutions

Automatic sliding door record 16 STA

Modern conception

The new sliding door record 16 STA has modular drive and profile systems which can be adapted to all requirements. Generally speaking, **record system 16** offers an important reduction of components, a simplified training of the engineers as well as easier installation and maintenance.



Subassemblies you can rely on !

Drive module

- The drive module is prefitted and tested in the factory which offers a maximum reliability and simplifies the setting up.
- Thanks to the sidebar principle the drive can be positioned in the centre thus giving always easy access to all components, even with installations in recesses.
- A compact DC motor with electronic distance measurement and integrated thermostatic safety switch drives door leaves weighing up to 2 x 120 kilograms.
- The modularity of the system permits to install door leaves with up to 2 x 200 kilograms without needing to replace the drive.

Running gear

- 4 large rollers per door leaf made of robust Nylatron guarantee flawless operation for many years.
- The material of the gear belt is reinforced with glass fibre.
- The track is specially pre-treated and additionally lined with a rubber profile for almost silent movement.
- With the universal cladding profile all common installations are possible : on the lintel, self-supporting from wall to wall, on columns, ceilings or in more than one combination.
- The biparting track profiles make better use of the profile lengths.
- The cladding profile is self-supporting up to a length of 5,100 mm. Reinforcements

profile, which gives self-supporting constructions exceptional aesthetic appeal and stability.



- The upper profiles for door leaves and side screens are integrated into the operator casing which gives attractive large glass surfaces.
- All profiles are available in every colour ; they are powder coated according to RAL or anodised in a variety of colours.

Profile system

- The side screens are glazed in the factory and so it is a quick and easy work at the site to fit them into the cladding profile.
- The conception of the modules makes installation much easier, and you do not need any auxiliary lifting gear.
- The operator casing can be clipped in very easily and is also available as lockable option.
- The record profile systems can be combined with different glass types and thicknesses up to 20 mm. Other possible materials besides safety glass are for instance metal, plastic and wood.



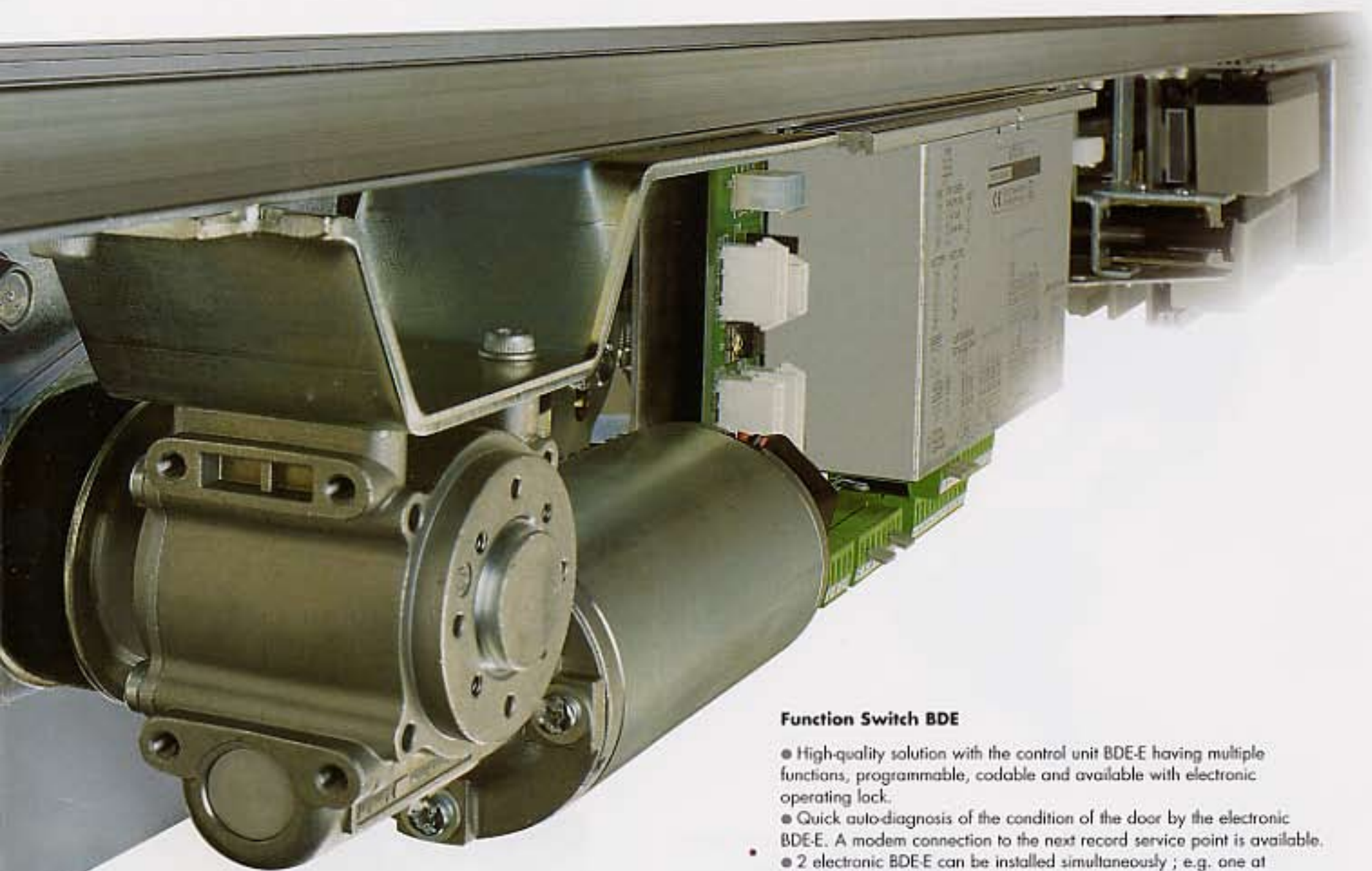
are not necessary under normal circumstances. The side screens and fanlights can be fitted directly into the cladding



- A horizontal brush profile between the operator and the door leaves guarantees optimal sealing.



- The standard module contains many options as standard. Special drives for interlock function and pharmacy control are available for later installation with an enhanced functions module.
- The drive electronics determine automatically all given parameters such as door leaf weight, opening width, surface frictional resistance, etc.
- With only a few components the operator can be made into a telescopic installation.
- For use in escape and rescue routes additional modules are available providing break-out facilities or a back-up system (redundancy operator) for escape routes. The redundant escape route system can be installed at a later time.



Emergency battery

- In the case of a power cut the door continues to operate



- for several hours.
- If power is not restored and the battery charge runs low the door will move to a predetermined position (open, shut or locked).
- Once in this position the battery still has sufficient power to perform an emergency close or open command.
- During normal operation the emergency battery will charge itself automatically.

Locking device

- The newly developed double-acting locking device made of extremely tough, tempered special steel HRC60 locks the door firmly and reliably.
- The locking device is visually monitored by the control unit BDE-E and, as an option, by a control light in the operator casing.
- If, due to an obstacle



- in the door area, the installation cannot be locked, it will be automatically opened to a width of 10 cm.
- Automatic or manual locking devices for the lower area of the door leaves as well as hook profiles between door leaves and side screens can be fitted as options.

Function Switch BDE

- High-quality solution with the control unit BDE-E having multiple functions, programmable, codable and available with electronic operating lock.
- Quick auto-diagnosis of the condition of the door by the electronic BDE-E. A modem connection to the next record service point is available.
- 2 electronic BDE-E can be installed simultaneously ; e.g. one at the door and one at the reception.



- Low-price solution with a manual lockable BDE-M prevent alteration by unauthorised persons.
- The complete programme contains emergency cut-out, key-operated contact, surface-mounted and flush fitting boxes, cover frames in different colours and much more.
- The switches fit with all European standard flush fitting boxes.

Actuation

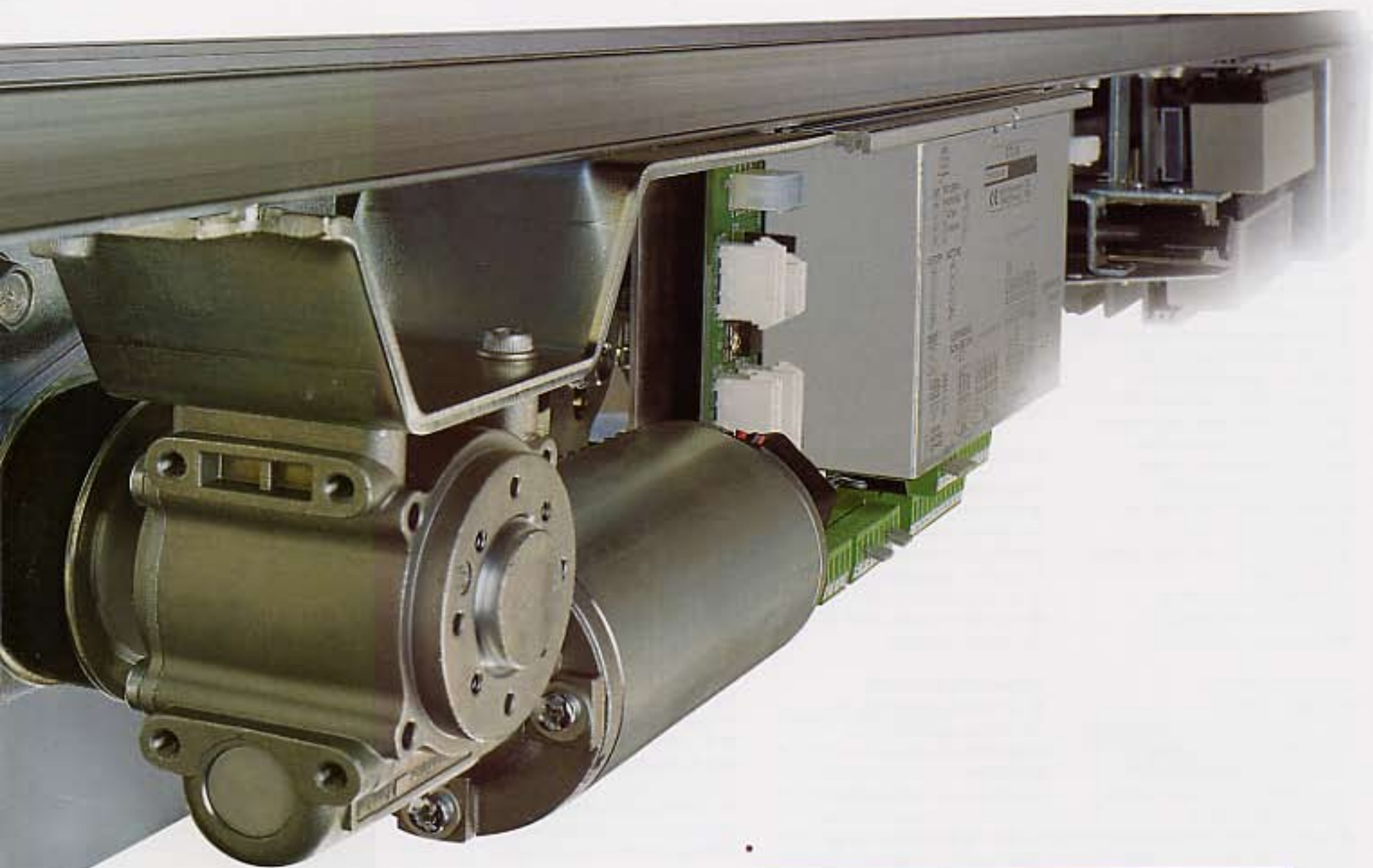
- The high-frequency radars developed and produced by record are specially co-ordinated with **record system 16** and available in different variations. The latest radar variation can be fitted into the operator casing and the cladding profile, thus largely protecting the devices against vandalism.
- The well-tried radars of record are highly resistant to malfunctions caused for instance by rain, snowfall and mobile phones. They are also available indirection-sensing and autofocussing options.
- According to the required detection pattern you can chose between different antennas.



Holding Beam



- The self-monitoring safety photo cells from record are, in connection with the **system 16** control unit, self-calibrating ; this new automatic adjustment for the optimal detection range makes operation insensitive to disturbances.
- Small size, excellent quality as well as a precise integration into the profile system guarantee a high-grade water resistance.



always safe

Emergency battery

● In the case of a power cut the door continues to operate



for several hours.

If power is not restored and the battery charge runs low the door will move to a predetermined position (open, shut or locked).

● Once in this position the battery still has sufficient power to perform an emergency close or open command.

● During normal operation the emergency battery will charge itself automatically.



always reliable

Functions / Options

Basic functions

Different operating modes

- Automatic mode with fully opening width
- Automatic mode with reduced opening width
- Automatic mode in one-way traffic for shop closing time control
- BDE-M : optional reduced opening width or one-way traffic
- Continuously open : door opens and remains in open position ; BDE-E with break-out function or reduced opening width
- Manual mode : door can be moved by hand
- Night lock : door remains closed and is locked
- Operating lock against unauthorised use of the BDE
- Bell control or fault contact

Safety functions

- Security sensors (e.g. self-monitoring security holding beams) in the clear opening of the door prevent the door from shutting if persons or objects are in the ray of light
- Security automatic mechanism : if the door leaves are hindered when shutting, they are immediately re-opened (automatic reverse 2-step adjustable). If the door leaves are hindered when opening, they are immediately stopped.
- The position of the obstacle is stored and will be slowly approached during the next door movement.

- Even in the case of power failure the emergency fail close or the emergency opening is guaranteed by the optional emergency battery.

Failure indication

- Any irregularity or fault is indicated on the control unit BDE-E. The indication is coded and LED's indicate the fault and remedy.

Custom-specific settings

Programmable values

- Individual door leaf speeds for opening and shutting
- Individual time delays according to actuation (automatic mode or key-operated impulse)
- Individual opening width at the reduced opening

Adjustable functions

- Automatic cancellation of the reduced opening width when traffic is heavy.
- Emergency fail close with or without automatic locking (possibility to re-open the door by hand after actuation of the emergency fail close and to shut it again automatically).

Options

- Emergency battery : in the case of power failure, battery operation without mains supply for several hours. When the battery's capacity is low the door slides to a pre-determined position

[open, shut or locked]. In the case of continued power failure the shut and locked door can still be opened automatically by a key-operated impulse.

- Electromagnetic double-acting locking device with integrated manual unlocking under the operator casing.
- Manual unlocking at the outside and inner side of the door.
- Optical and acoustic systems for locking device surveillance and alarm.
- Door leaf surveillance.
- Night control with time switch, key-operated impulse, electronic encoding switch or building services control system.
- Pharmacy control.
- Interlock control : Continuous interlock control or only selectable by external contact (e.g. key-operated contact or building services control system).
- An optional emergency switch near to the door actuates an emergency stop.
- Communication module for data exchange with a higher-ranking building services control system.

Technical data

Clear opening width A

biparting sliding door	800 to 3,000 mm
single sliding door	800 to 3,000 mm

Clear height of passage G

recommended maximum height	3,000 mm
----------------------------	----------

Maximum weight of door leaves

for record 16 STA

biparting sliding door	2 x 120 kg
single sliding door	1 x 200 kg

for record 16 DUO (heavy door leaves)

biparting sliding door	2 x 200 kg
single sliding door	1 x 250 kg

Operator dimensions, incl. casing

height	200 mm
depth	160 mm

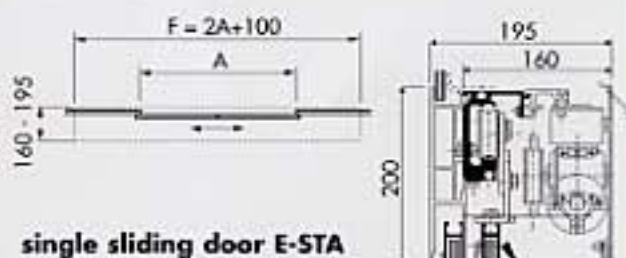
Door movements (1)

biparting sliding door	0.7 m in 1.0 sec.
single sliding door	0.7 m in 1.5 sec.

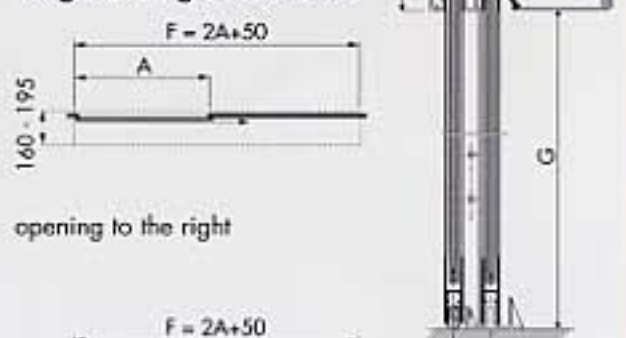
Electrical connection data

mains voltage	230 V, 50/60 Hz
rated power	0.6 A
rated capacity	100 W
rated capacity standby mode	14 W
fuse protection	min. 2.5 A slow

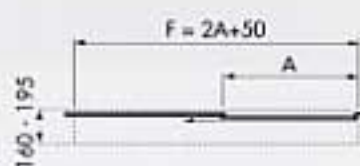
biparting sliding door D-STA



single sliding door E-STA



opening to the right



opening to the left

- A** : clear opening width
- G** : clear height of passage
- F** : length of header

(1) if door leaf weight equals 75 % of permissible max. weight